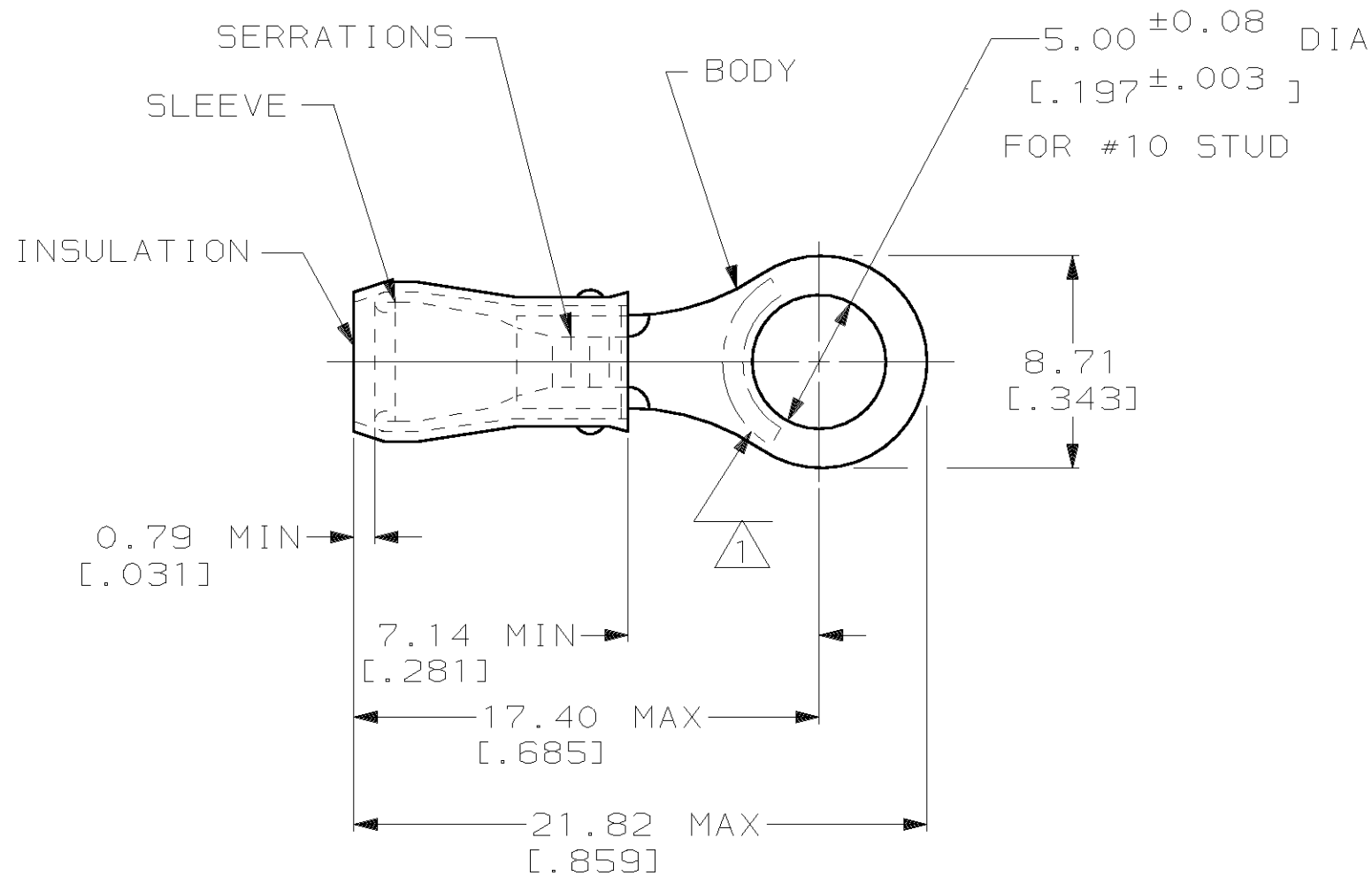


THIS DRAWING IS UNPUBLISHED. RELEASED FOR PUBLICATION, 19 .  
 © COPYRIGHT 19 BY AMP INCORPORATED. ALL INTERNATIONAL RIGHTS RESERVED.

LOC	DIST	P	F	REVISIONS			
ZONE	LTR	DESCRIPTION	DATE	APPD			
G	14			Y	REV PER 0G3A-0654-01	03DEC01	JR/TM

<b>AMP</b> WIRE RANGE	<b>UL</b> Listed	<b>SR</b> LR7189 Certified
16-14 AWG SOLID OR STRANDED	16-14 AWG SOLID OR STRANDED	16-14 AWG SOLID OR STRANDED



- 1 STAMPING MAY BE ON TOP OR BOTTOM.
- 2 WIRE INSULATION DIA: 2.92-4.32 [.115-.170].
- 3 TONGUE MATERIAL THK: 0.84 [.033] MAX.

<b>AMP INCORPORATED</b> <b>CUSTOMER SERVICE SYSTEMS</b>		MAX RECOMMENDED OPERATING TEMPERATURE: 105°C MAX		5000	ON TAPE	2-31903-2
FOR ADDITIONAL PRODUCT INFORMATION OR COPIES OF DRAWINGS AND TECHNICAL DOCUMENTS		PRODUCT INFORMATION CENTER 1-800-522-6752		1000	LOOSE PIECE	31903
FOR APPLICATION TOOLING INFORMATION		TOOLING ASSISTANCE CENTER 1-800-722-1111		QUANTITY	PACKAGE TYPE	PART NO
FOR ORDER ENTRY		1-800-526-5142		AMP Incorporated Harrisburg, PA 17105-3608		
THIS DRAWING IS A CONTROLLED DOCUMENT FOR AMP INCORPORATED. IT IS SUBJECT TO CHANGE AND THE CONTROLLING ENGINEERING ORGANIZATION SHOULD BE CONTACTED FOR THE LATEST REVISION.		VOLTAGE RATING: 300 V MAX		NAME TERMINAL, RING TONGUE, PIDG™, WIRE SIZE, 16-14 AWG		
DO NOT SCALE PRINT. UNLESS SPECIFIED DIMENSIONS IN mm [INCHES] TOLERANCES ON: 2 PLC DEC ± 0.20[.008] 3 PLC DEC ± - ANGLES ± -		WIRE CROSS SECTIONAL AREA RANGE: 1.04-2.62mm² [2050-5180] CIR MILS SOLID OR STRANDED		MATERIAL COPPER PER ASTM B-152 SLEEVE, BLUE VINYL		
FINISH TIN PLATE PER ASTM B 545		MATERIAL COPPER PER ASTM B-152 SLEEVE, BLUE VINYL		DR 16JAN01 JR RUTH CHK 16JAN01 MS FEHER APPD 16JAN01 T MICHIELUTTI APPD 16JAN01 T MICHIELUTTI PRODUCT SPEC		
AMP 1470-15 REV 3-92 16-JAN-01 13:47:50 amp13469 /home/amp13469/edmod		APPLICATION SPEC NOT AVAILABLE		SIZE B	CAGE CODE 00779	DRAWING NO C-31903
		WEIGHT -		SCALE 4:1	SHEET 1 OF 1	